

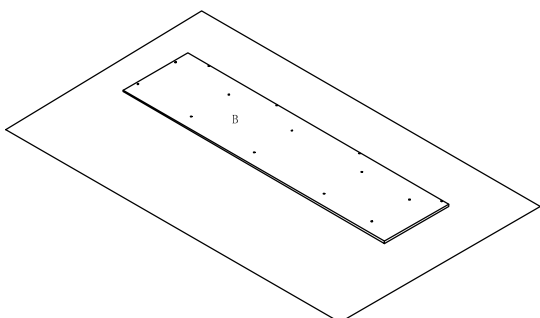
# Wall End Shelf Cabinet Assembly Instruction

(Item:WES0942)

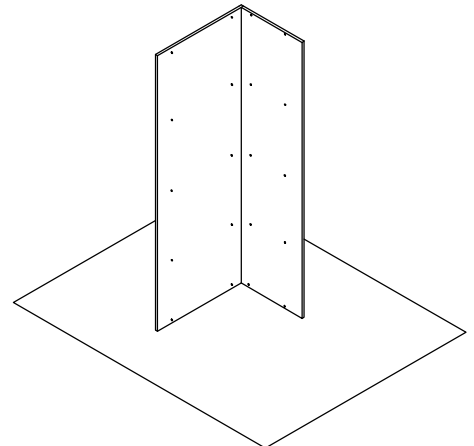
Hardware list	1	24pcs	Ø4x25mm		Assembly tools required	 Screw driver	 Rubber mallet
	Black screw with flat head						
							

Cabinet Part List	A	Small side panel(1)	B	Big side panel(1)	C	Top&Bottom panel(2)	D	Fixed shelf	E	Toe kick				
-------------------	---	---------------------	---	-------------------	---	---------------------	---	-------------	---	----------	--	--	--	--

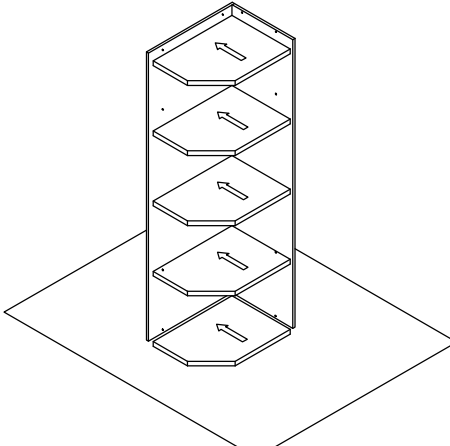
Step 1 : With big side panel (B) of cabinet lay down on clean and soft surface then put glue into groove.



Step 2 : Assambly small side panel (A) to the big side panel (B).



Step 3 : Assambly top&bottom panel(C) and fixed shelf(D).



Step 4 : Finish installation of the cabinet.

